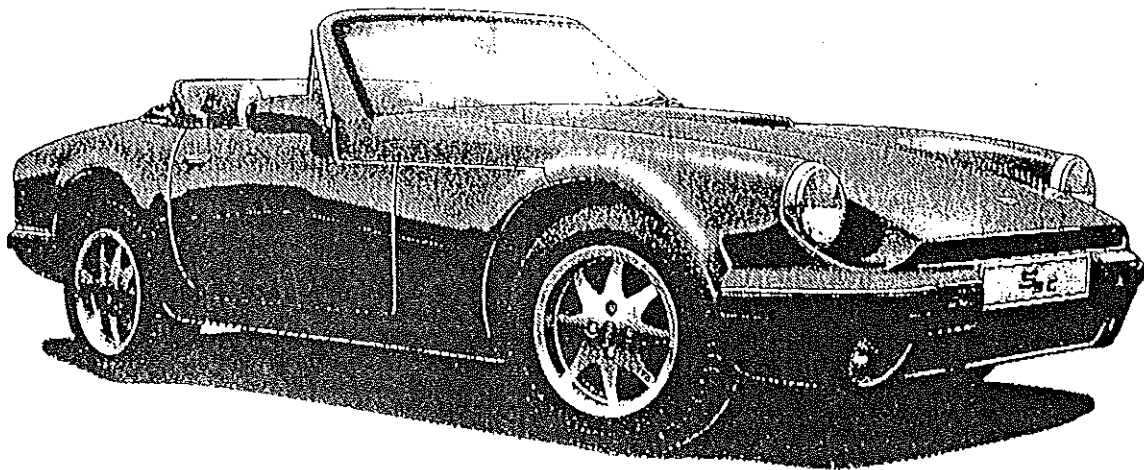


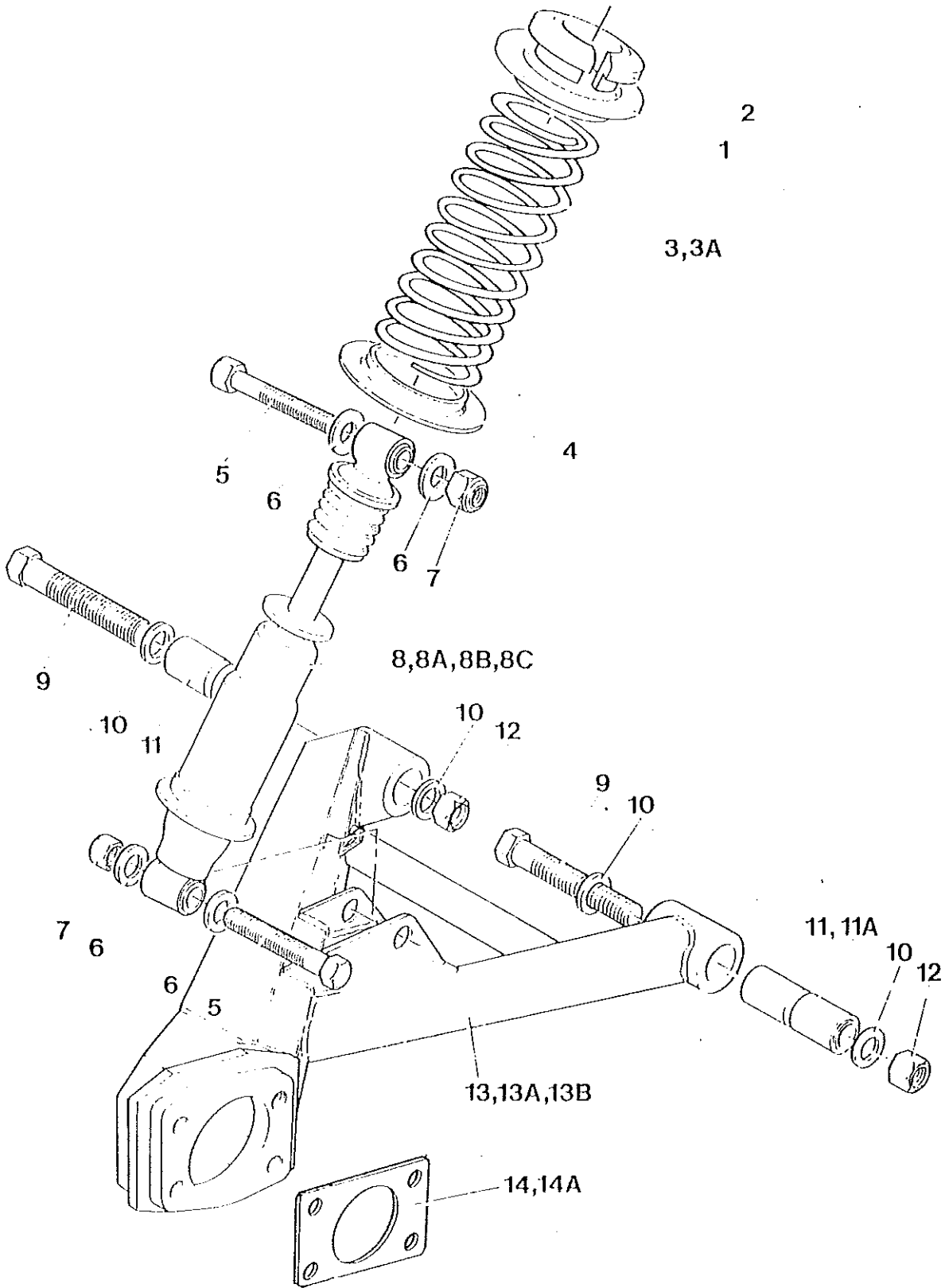
**TR**



Parts Catalogue

Section D Rear Suspension

**S**  
SERIES



**TVR Engineering Limited Parts Catalogue**

Section      D1      Rear Suspension

Comments :

Date of Issue :                      Date Revised :                      Drawing Ref :

Item	Part No.	Description	Qty
1	S28D 10034	Spring Seat (From VIN SA9DS28P4JB019437 To VIN SA9DS28P9JB019448)	4
2		Collar, Spring Top	2
3	S28D 10025	Spring - Fixed Rate	2
3A	S28D 10029	Spring - Variable rate	2
4		Collar, Spring lower	2
5	S28W 10003	Bolt	4
6	S28W 10004	Plated Washer	8
7	S28W 10002	Nyloc Nut	4
8	S28D 10022	Fully Adjustable Rear Damper (April 1987 - March 1988)	2
8A	S28D 10030	Fully Adjustable Rear Damper (March 1988 - July 1988)	2
8B	S28D 10032	Fixed Spring Seat rear Damper (July 1988 - April 1989)	2
8C	S28D 10035	Fixed Spring Seat Rear Damper (April 1989 onwards)	2
9	S28W 10023	Trailing Arm Bolt	4
10	S28W 10009	Trailing Arm Washer	8
11	S28D 10024	Silent Bloc Bush (To VIN SDLDSC2P9MJ011006 17 Sept. 1990)	8
11A	S29D 10031	Silent Bloc Bush (From SDLDSN2P8MJ011007) (17 Sept. 1990)	4
12	S28W 10016	Trailing Arm Nyloc Nut	4
13	S28D 10026	L.H. Trailing Arm Assembly (To VIN SA9DSN2P9LB019349)	1
	S28D 10027	R.H. Trailing Arm Assembly (To VIN SA9DSN2P9LB019349)	1
13A	S29D 10038	L.H. Trailing Arm Assembly (From SA9DSN2P9LB019351 to SA9DSN2PLB019413)	1
	S29D 10039	R.H. Trailing Arm Assembly (From SA9DSN2P9LB019351 to SA9DSN2PLB019413)	1
13B	S29D 10044	L.H. Adjustable Trailing Arm Assembly (From SA9DSN2P5LCO19414)	1
	S29D 10045	R.H. Adjustable Trailing Arm Assembly (From SA9DSN2P5LCO19414)	1
14	S29D 10046	Shim - Thin (0.05)	A/R
14A	S29D 10047	Shim - Thick (1.0)	A/R

