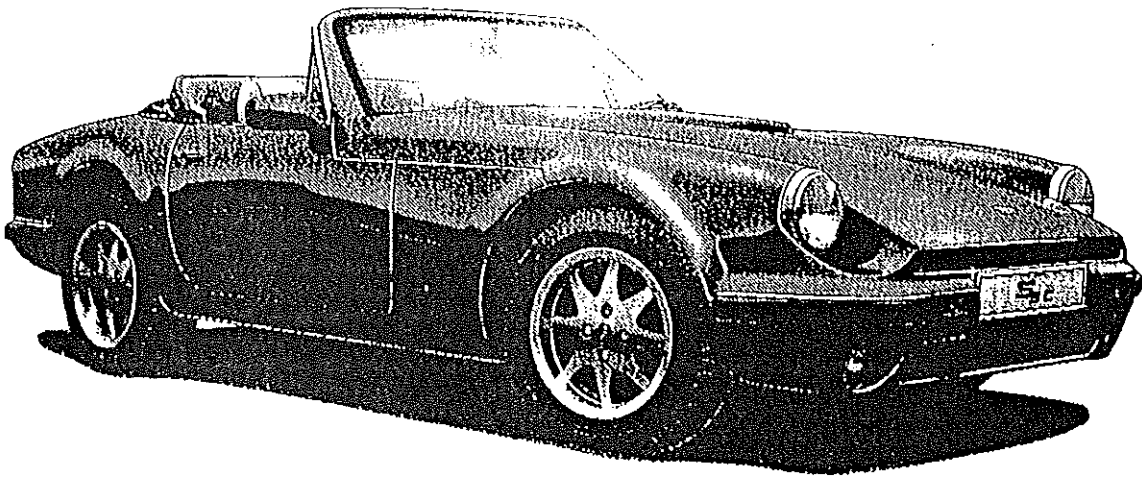


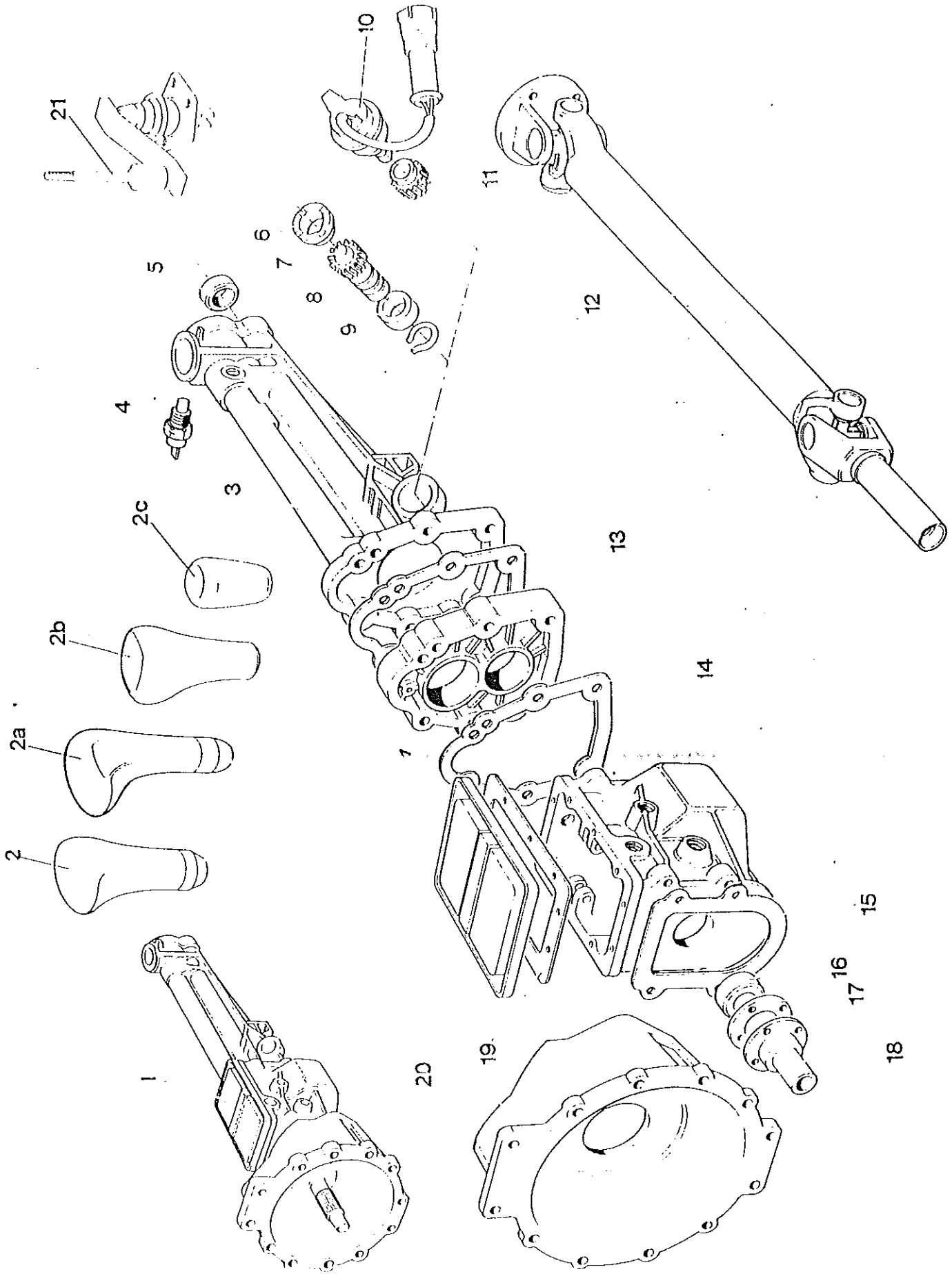
TR



Parts Catalogue
Section F Gearbox

S
SERIES

F1



TVR Engineering Limited Parts Catalogue

Section F Gearbox & Propshaft

Comments :

Date of Issue : Feb. 1991 Date Revised : Drawing Ref :

Item	Part No.	Description	Qty
1		Gearbox Assy : New : 5 Speed	1
2	O35 562A	Wooden Gearlever Knob (Momo)	1
2A	S29F 10015	Wooden Gearlever Knob (Nardi Italia)	1
2B	O25F 109A	Gearlever Knob (5-Speed)	1
2C	S28F 10009	Wooden Gearlever Knob	1
	S29F 10014	Wooden Gearlever Knob	1
3		Extention Housing	1
4	S28F 10006	Reversing Lamp Switch	1
5		Tailshaft Oil Seal	1
6	S28F 10005	Retainer Driven Gear	1
7	S28F 10003	Speedo Driven Gear	1
8	S28F 10007	Seal	1
9	S28F 10004	Circlip	1
10	S28F 10010	Speedo Sensor Electric	1
	S28F 10011	"O" Ring	1
	S28F 10012	Retainer	1
11	S28F 10013	Gear	1
12	S28F 10001	Prop. Shaft	1
13		Extention Housing To Rear Case Gasket	1
14		Rear Case To Gearbox Gasket	1
15		Gearbox To Bell Housing Gasket	1
16		Trumpet Seal : Bell Housing	1
17		Trumpet Gasket : Bell Housing	1
18		Trumpet : Bell Housing	1
19		Top Plate Gasket	1
20		Bell Housing	1
21		Gearlever	1
	O25F 002A	Insulator	1

