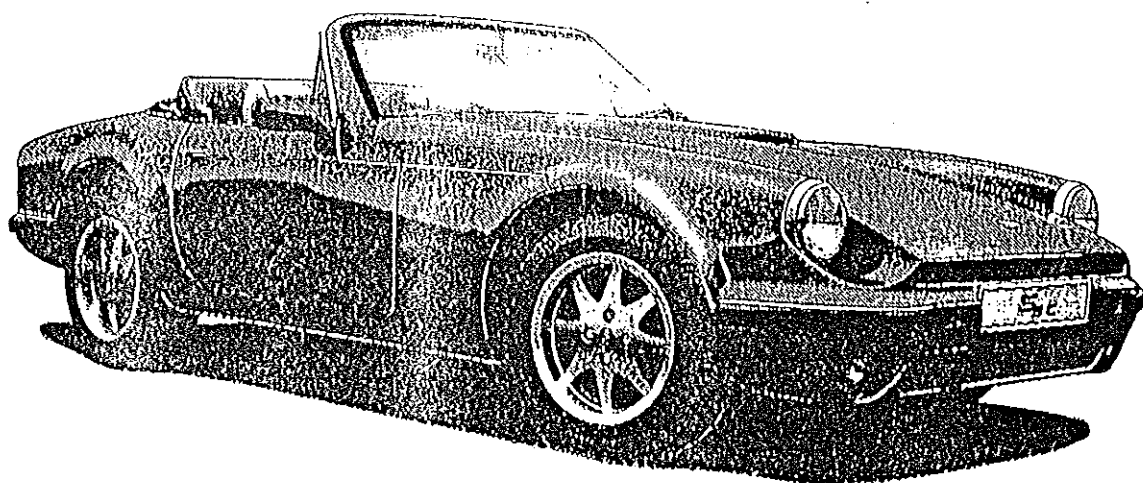


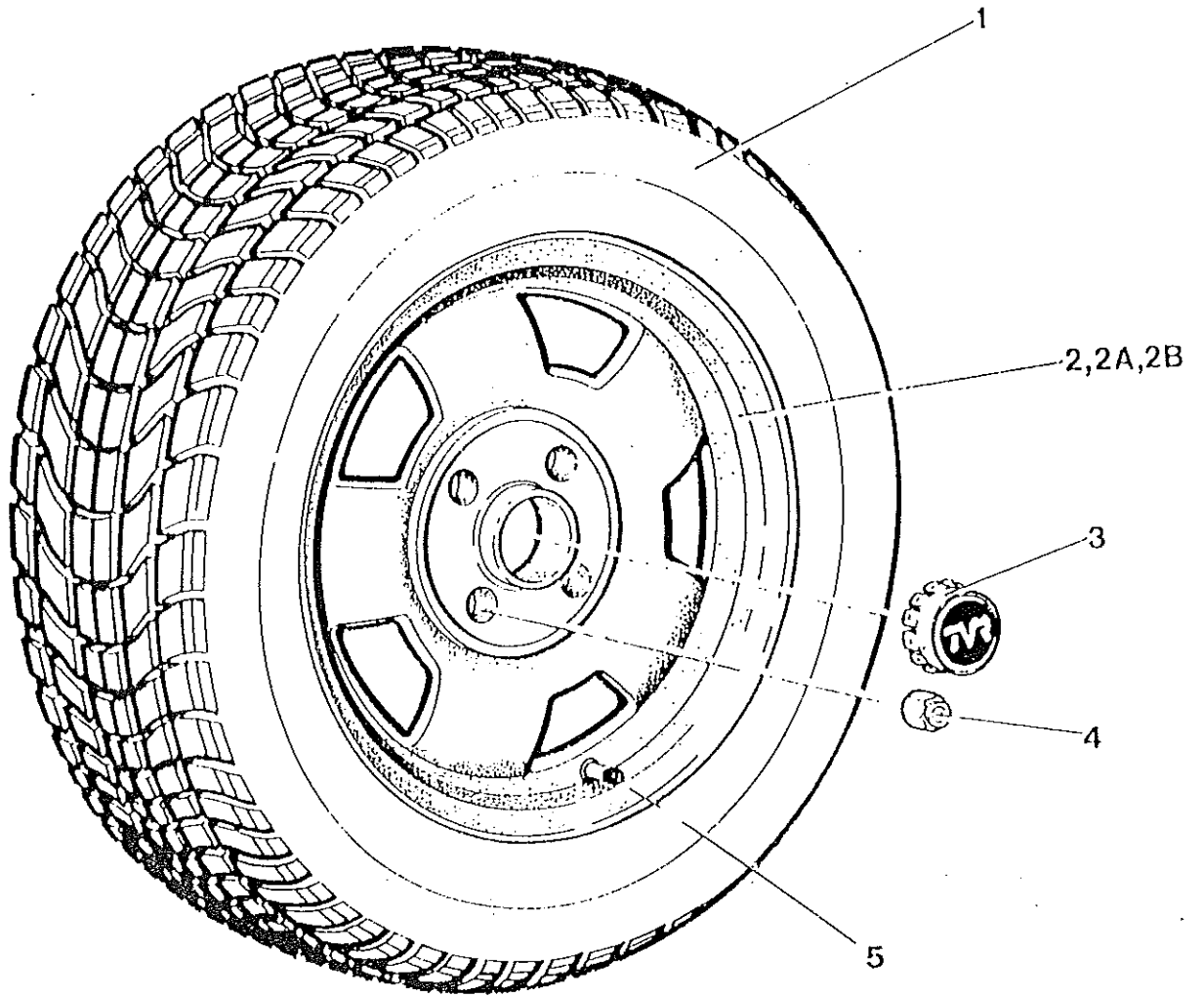
TR



## Parts Catalogue

### Section G Roadwheels & Tyres

S  
SERIES



# TVR Engineering Limited Parts Catalogue

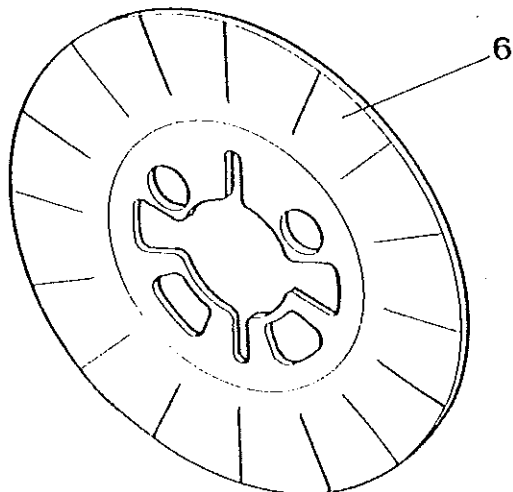
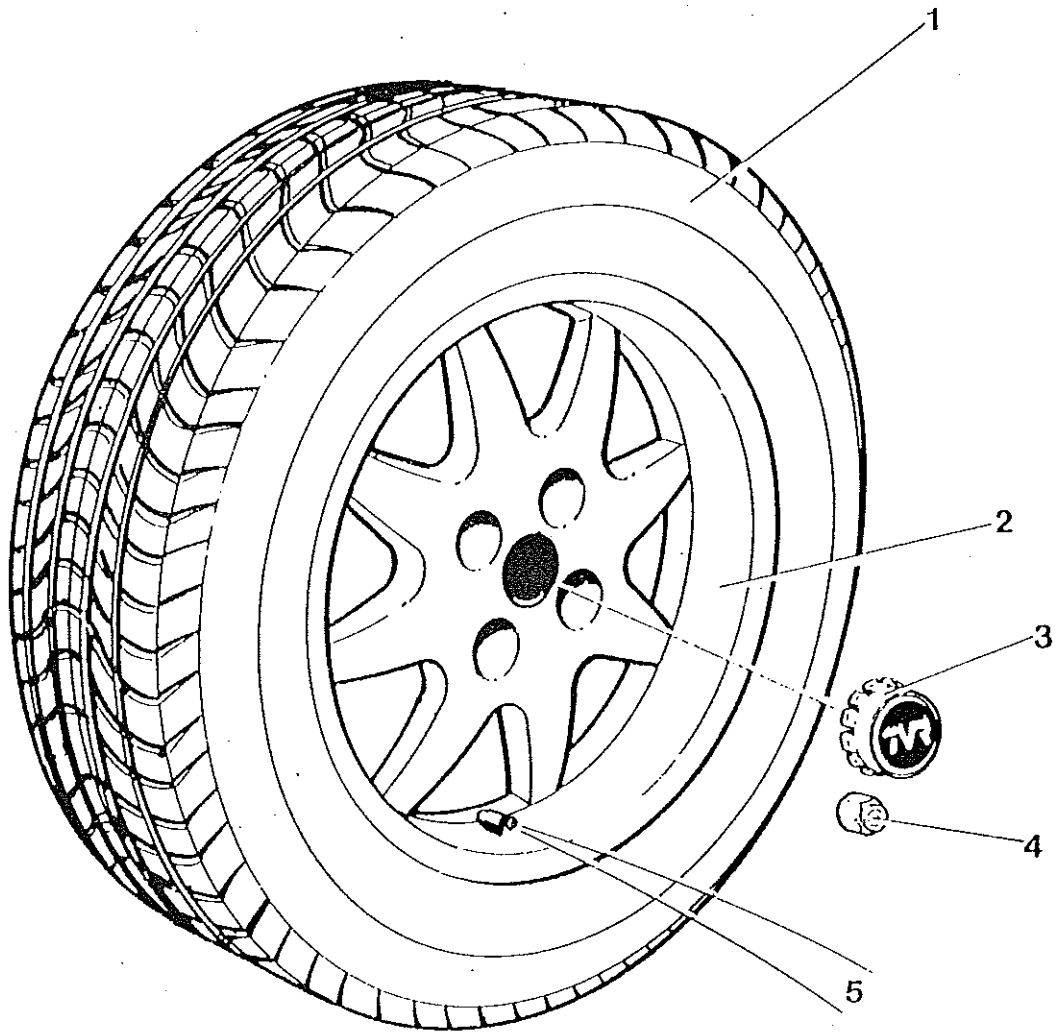
Section G1 Road Wheel And Tyre

Comments :

Date of Issue : Jan 1990 Date Revised : Drawing Ref :14

Item	Part No.	Description	Qty
1	O35G 021A	Tyre 205/60 VR15 RE71	4
2	S28G 10003	Ceres Wheel (From April 1987 To Jan 1988)	4
2A	S28G 10001	TZ Wheel (From Jan 1988 To May 1988) *	4
3	S29G 10007	Centre Cap	4
4	S29G 10006	Wheel Nuts	16
5	O25G 005A	Tyre Valve	4

\* TZ Wheel Only Illustrated ( G1)



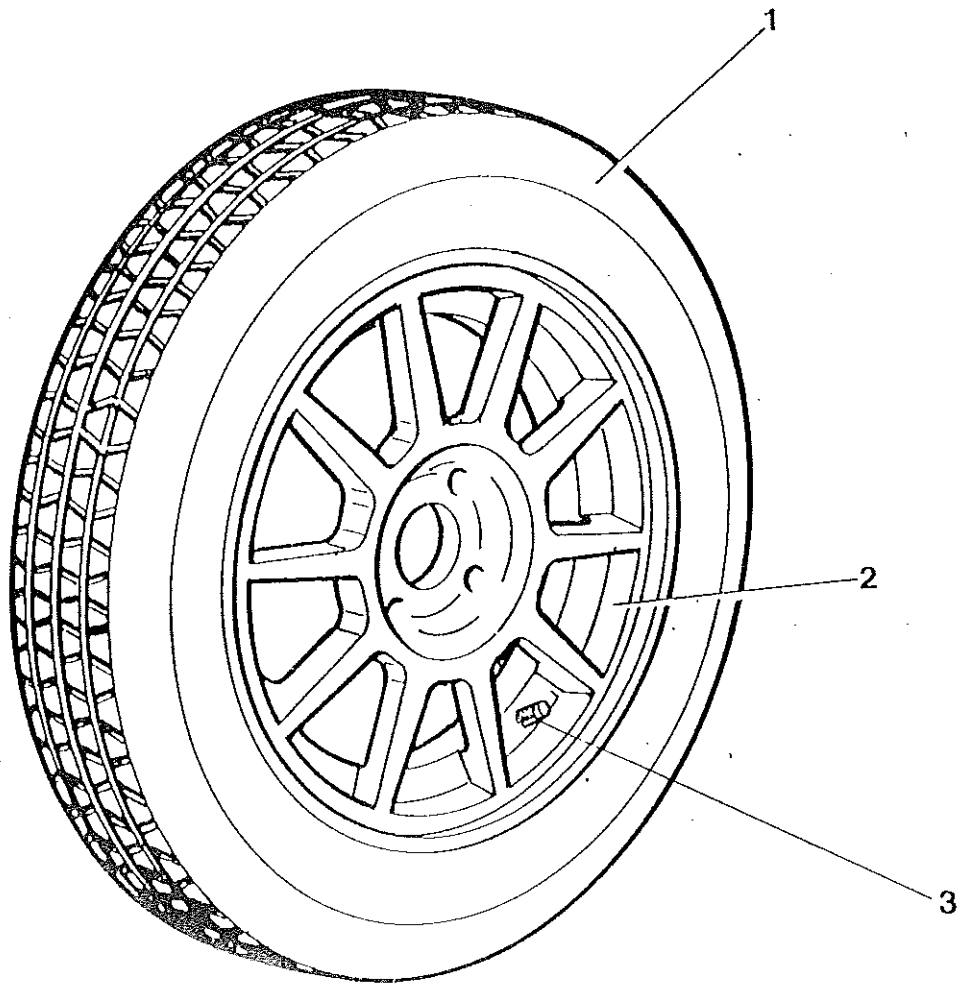
# TVR Engineering Limited Parts Catalogue

Section G2 Road Wheel And Tyre

Comments :

Date of Issue :Jan 1990 Date Revised : Drawing Ref :15

Item	Part No.	Description	Qty
1	O35G 021A	Tyre 205/60 VR15 RE71	4
2	S28G 10005	Plus Wheel (From June 1989)	4
3	S29G 10007	Centre Cap	4
4	S29G 10006	Wheel Nuts	16
5	O25G 005A	Tyre Valve	4
6	O35G 040A	Dust Shields (Optional To May 1989, Standard From June 1989)	4



# TVR Engineering Limited Parts Catalogue

Section G3 Roadwheel And Tyre

Comments :

Date of Issue :Jan 1990 Date Revised : Drawing Ref :16

Item	Part No.	Description	Qty
1	S28G 10004	Spacesaver Tyre	1
2	S28G 10002	Spacesaver Wheel (Charcoal Colour Finish From June 1989)	1
3	O25G 005A	Tyre Valve	1

