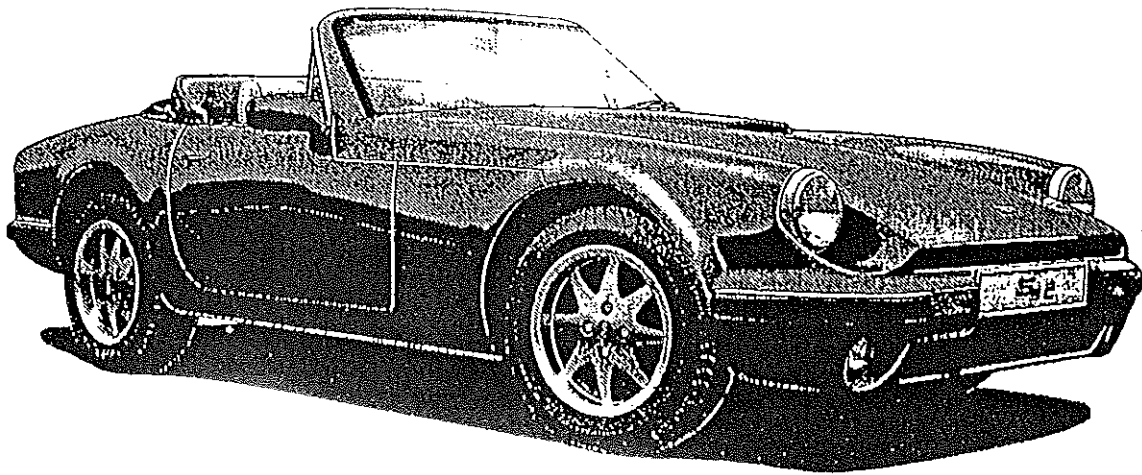
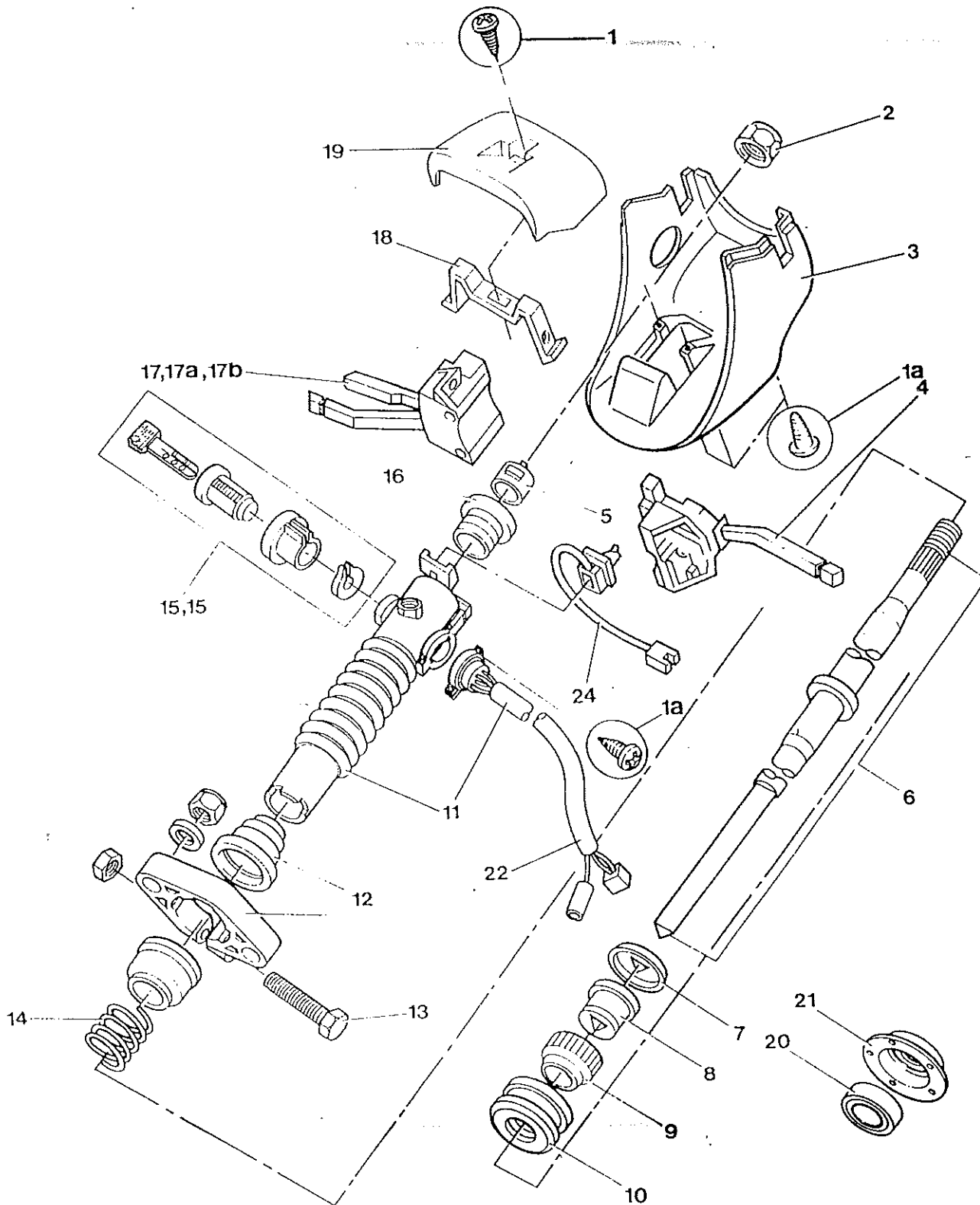


TR



Parts Catalogue  
Section H Steering

S  
SERIES



TVR Engineering Limited Parts Catalogue

Section III Steering Column

Comments :

Date of Issue : Date Revised : Drawing Ref :

Item	Part No.	Description	Qty
1	S28H 10029	Shroud Retaining Screw	1
1A		M8 x 3/4 Posi Screw	3
2	S28H 10035	Column Nut	1
3	S28H 10024	Lower Column Shroud (S2C AND S3C ARE 'TRIMMED'-SPECIFY TRIM COLOUR)	1
4	S28H 10020	Hazard Warning/Indicator Switch	1
5	S28H 10017	Cam	1
6	S28H 10007	Steering Column	1
7	S28H 10008	Special Washer	1
8	S28H 10009	Seal	1
9	S28H 10010	Bearing (To May 1989)	1
10	S28H 10011	Grommet (To May 1989)	1
11	S28H 10005	Column Tube & Ignition Switch	1
12	S28H 10014	Bearing Assembly	1
13	S28H 10033	Bolt	1
14	S28H 10012	Spring	1
15	S28H 10018	Ignition Barrel Cylinder c/w Key (Early Cars only : To Mid 1987)	1
15A		Refer to illustration on door handles (Exterior - 1987 onwards)	
16	S28H 10015	Roulment	1
17	S28H 10021	Wiper Switch (Non Intermittent) Finished Sept 1990.	1
17A		During 1989, A full intermittent wiper switch was fitted in place of item 17 (temporary only) together with electric relay Part No. 135M 001P	
17A	S28H 10057	Wiper Switch (Intermittent) (VIN DS592 to VIN DS687 1989)	1
17B	S28H 10057	Wiper Switch (Intermittent) (Full Production Item Sept. 1990 Onwards)	
18	S28H 10022	Bracket	1
19	S28H 10023	Upper Column Shroud (S2c AND S3c ARE 'TRIMMED'-SPECIFY TRIM COLOUR)	1
20	S28H 10055	Steering Column Bearing (May 1989 Onwards)	1
21	S28H 10056	Plastic Housing (May 1989 Onwards)	1
22	S28M 10090	Ignition Switch (Canada Only)	1
23	S28H 10006	Steering Column Support Bracket	1
24	S28H 10019	Horn Brush (Early cars to late 1987)	1

