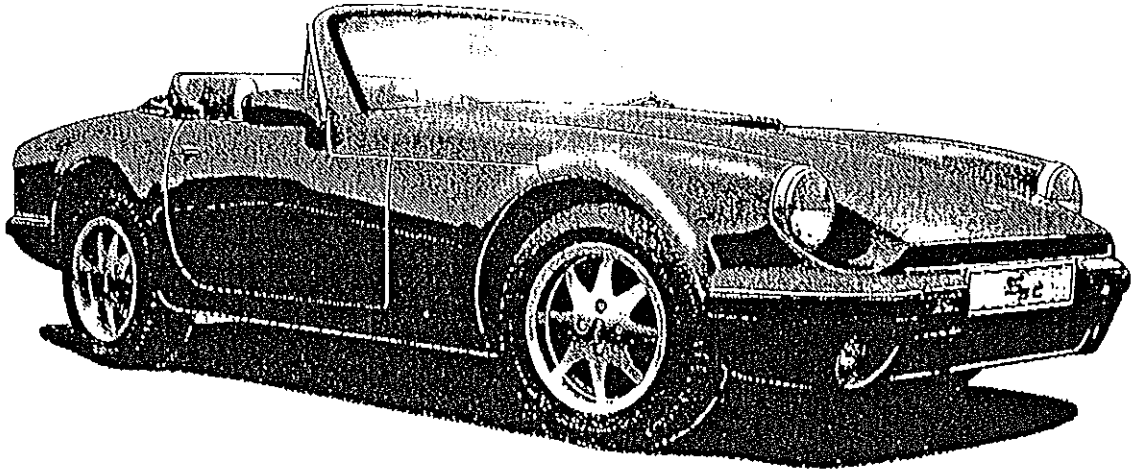


TR

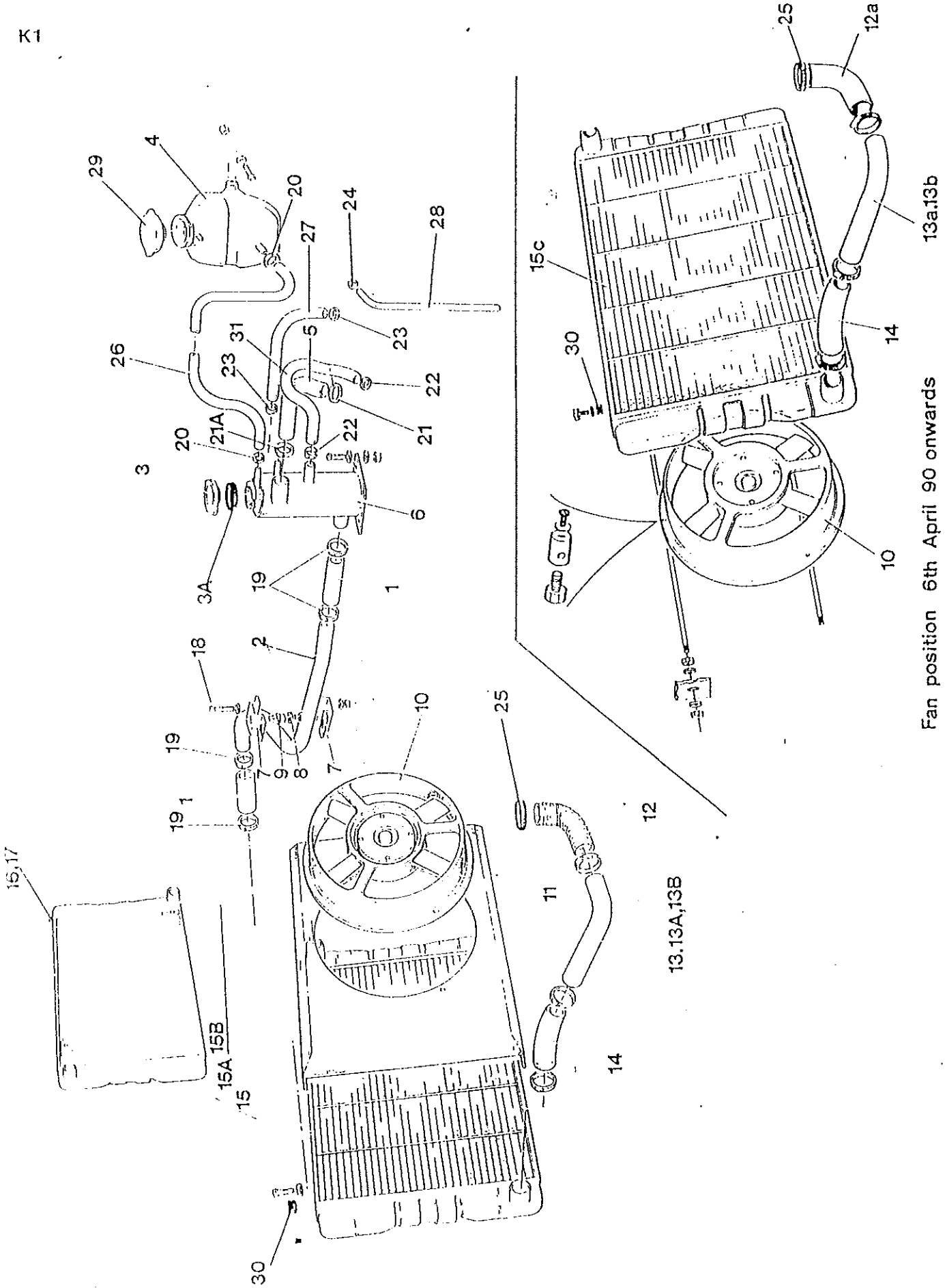


Parts Catalogue
Section K Cooling System

S
SERIES

800071225

K1



Fan position 6th April 90 onwards

13a,13b

13.13A,13B

TVR Engineering Limited Parts Catalogue

Section K1 Radiator Fittings*

Comments : May 1987 Onwards.

Date of Issue : Jan 1990 Date Revised : Drawing Ref :30

Item	Part No.	Description	Qty
1	S28K 10018	Radiator Hose	2
2	S28K 10015	Upper Radiator Pipe (2.8 Only)	1
	S28K 10027	Upper Radiator Pipe (2.9 Only)	1
3	O25K 005A	Pressure Cap	1
3A	O35K 119A	Cap Sealing Washer	1
4	S28K 10009	Expansion Tank	1
5	S28K 10021	Top Radiator Hose (2.8 Only)	1
	S28K 10026	Top Radiator Hose (2.9 Only)	1
6	S28K 10008	Swirlpot Tank (2.8 Only) No Change point Available	1
6A	S28K 10014	Swirlpot Tank (2.8 Only) No Change point Available	1
6B	S28K 10029	Swirlpot Tank (2.9 Only)	1
7	O35K 034A	Otter Switch Bracket	2
8	S28M 10058	Sealing Washer (Used With S28M 10055)	1
9	O35K 032A	Otter Switch	1
9A	S28M 10055	Otter Switch	1
10	O35K 115A	Electric Fan And Cowl Assembly	1
11	S28B 10029	Radiator Cowl	1
12	S28K 10020	Bottom Hose (Pump To Pipe) 2.8 Only	1
12A	S28K 10024	Bottom Hose (Pump To Pipe) 2.9 Only	1
13	S28K 10016	Lower Radiator Pipe (2.8 Only)	1
13A	S28K 10028	Lower Radiator Pipe (2.9 Non-catalyst Only)	1
13B	S29K 10032	Lower Radiator Pipe (2.9 Catalyst Only)	1
14	S28K 10019	Bottom Hose (Pipe To Radiator)	1
15	NPN	Radiator (First 3 Cars Only)	1
15A	S28K 10001	Radiator (1987 Model Year)	1
15B	S28K 10002	Radiator (1987/ 1988 Model Year)	1
15C	S28K 10033	Radiator	
16	S28K 10022	Drain Tap	1
17	S28K 10023	Drain Tap	1
18	NPN	Switch Bracket (Nut and Bolt Assembly)	2
19	O25W 062A	Hose Clip (Top Hose) Pipe	4

TVR Engineering Limited Parts Catalogue

Section K1 Radiator Fittings

Comments :May 1987 Onwards.

Date of Issue :Jan 1990 Date Revised : Drawing Ref :30

Item	Part No.	Description	Qty
20	O25W 070A	Hose Clip (Swirlpot Overflow To Expansion)	2
21	O25W 062A	Hose Clip (Top Hose- To Thermostat)	1
21A	O25W 061A	Hose Clip (Top Hose To Swirlpot)	1
22	O25W 072A	Hose Clip (Lower Elbow- Swirlpot)	2
23	O25W 070A	Hose Clip (Middle Elbow- Swirlpot)	2
24	O25W 069A	Hose Clip (Overflow- Expansion)	1
25	O25W 062A	Hose Clip (Pipes To Radiator, Pipes To Water Pump)	4
26	O25L 143A	Overflow Hose (Upper- Swirlpot To Expansion Bottle) 1 metre	1
27	O25L 143A	Overflow Hose (Middle- Swirlpot To Thermostat Housing) 30cm	1
28	S28U 10189	Overflow Hose (Expansion Bottle) 1 metre	1
29	O25K 027A	Non- Pressure Cap	1
30	S28K 10013	Radiator Mounting Grommet	4
31	O25P 021A	Hose (Swirlpot To Water Pump) Cut To Length	1

(Cars Prior To 1/88)

Had 1, O35K 029A- Hose

1, O35K 030A- Hose

In Lieu Of Item Numbers 1,2,7,8,9,12,13,14.

