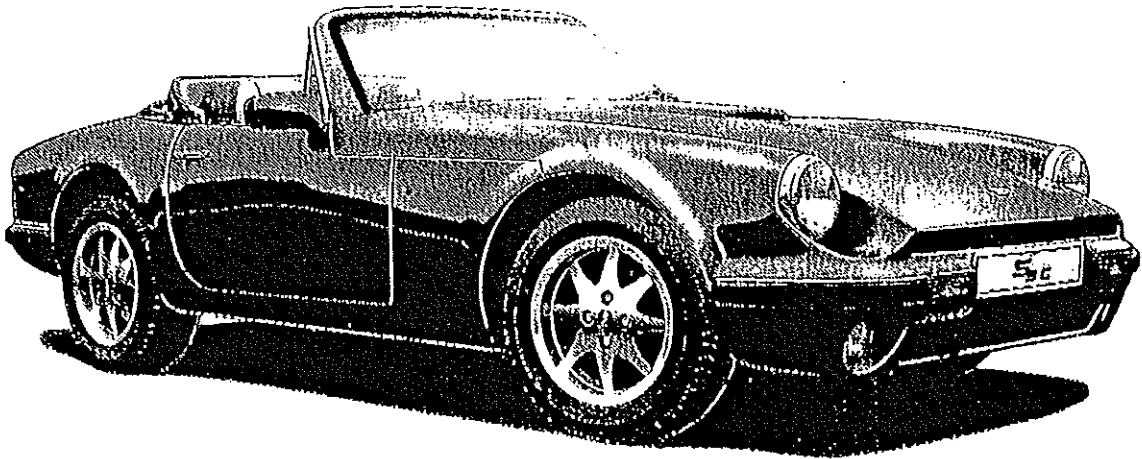
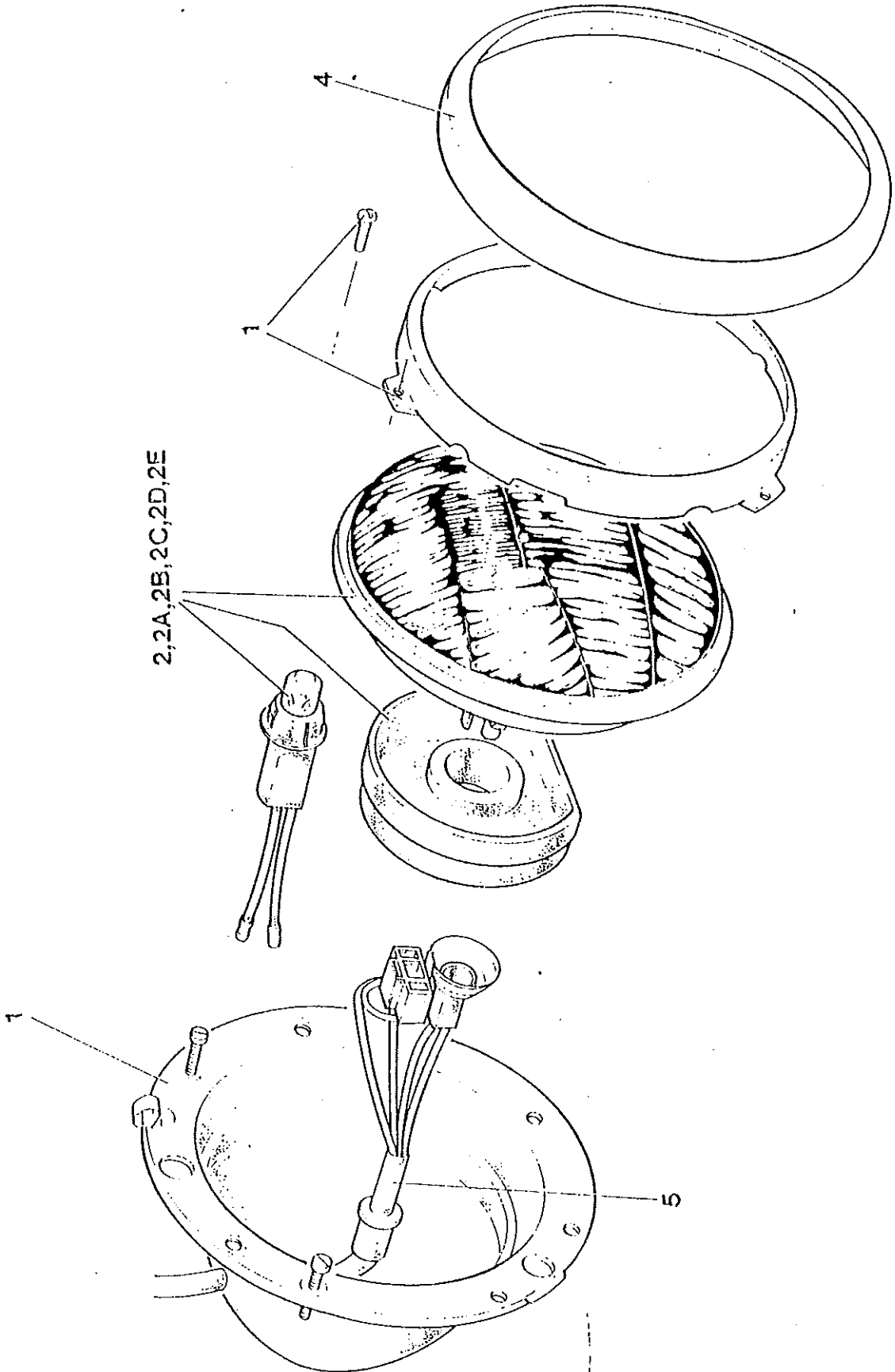


TR



Parts Catalogue
Section M Electrics

S
SERIES



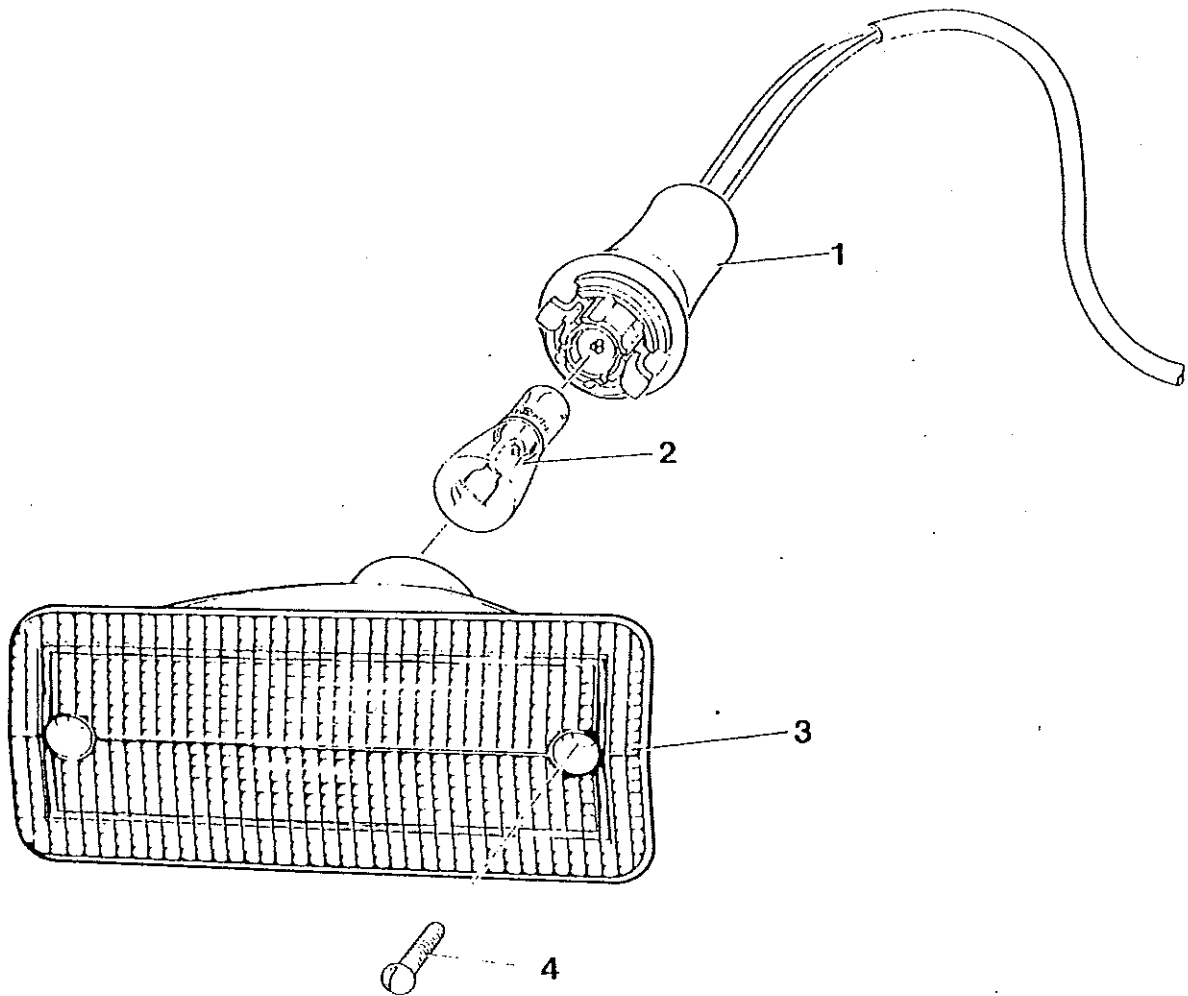
TVR Engineering Limited Parts Catalogue

Section M1 Electrics- Front Lamp

Comments :

Date of Issue : Jan 1990 Date Revised : Drawing Ref :32

Item	Part No.	Description	Qty
1	O25M 476A	Bowl And Inner Rim Assembly	2
2		Halogen Light Unit Assembly (to DS 363)	2
2A	S28M 10005	UK Left Dip(to DS 363)	2
2B	S28M 10008	Euro Left Dip(to DS 363)	2
2C	S28M 10007	France Left Dip(to DS 363)	2
2D	S28M 10069	UK Left Dip (From DS 364, 4th June 1988)	2
2E	S28M 10070	Euro Left Dip & France(From DS 364, 4th June 1988)	2
3	S28M 10071	France : Use Two Bulbs (Yellow)(From DS 364, 4th June 1988)	2
4	S28M 10006	Headlamp Rim	2
5	O25M 477A	Harness Assembly	2



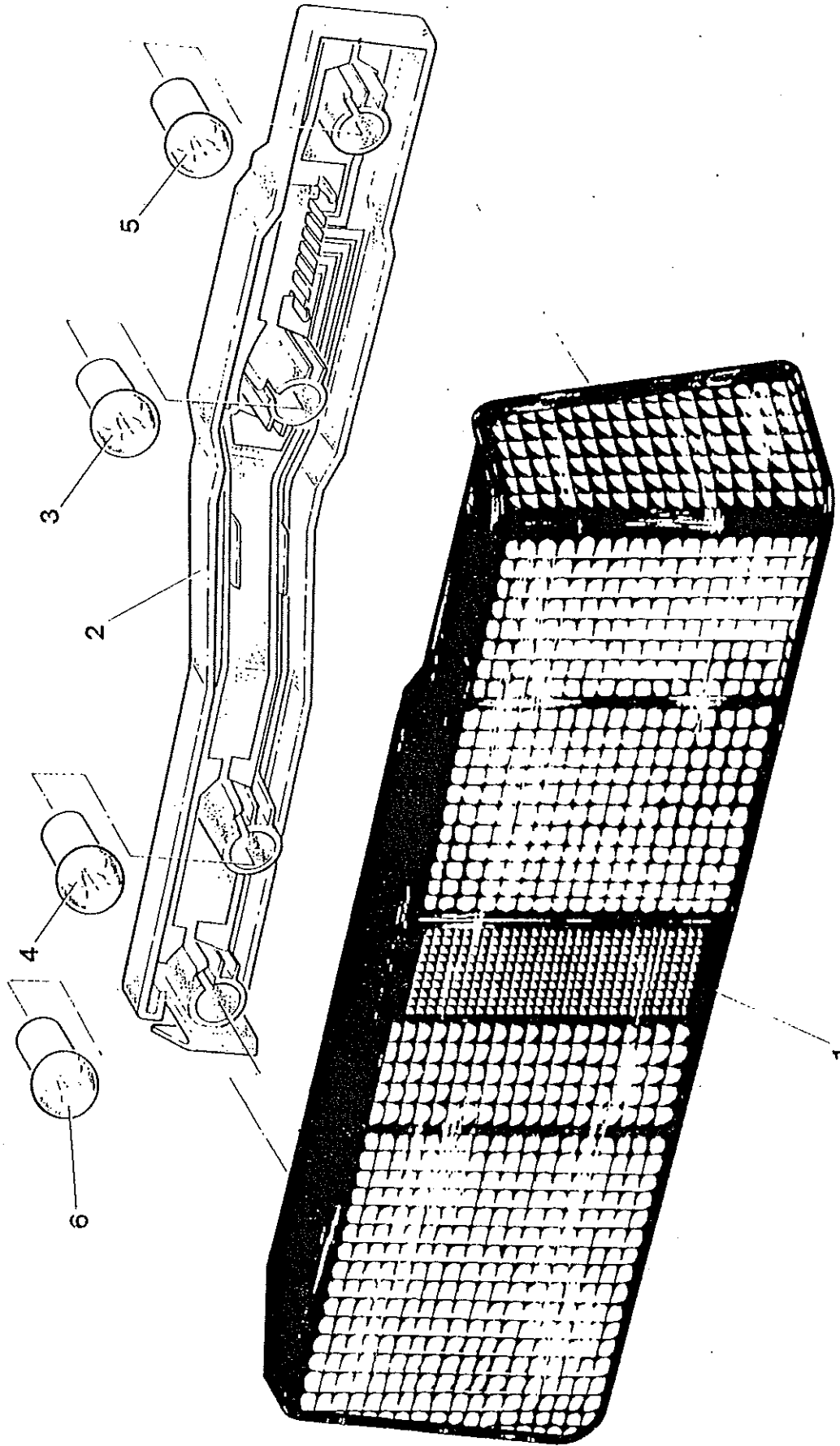
TVR Engineering Limited Parts Catalogue

Section M2 Electrics

Comments :

Date of Issue : Jan 91 Date Revised : Drawing Ref :

Item	Part No.	Description	Qty
1	S28M 10004	Bulb Holder & Lead	2
2	025M 144A	Indicator Bulb	2
3	S28M 10003	Lamp Lens Assy	2
4	025W 149A	Self Tapping Screw	2



TVR Engineering Limited Parts Catalogue

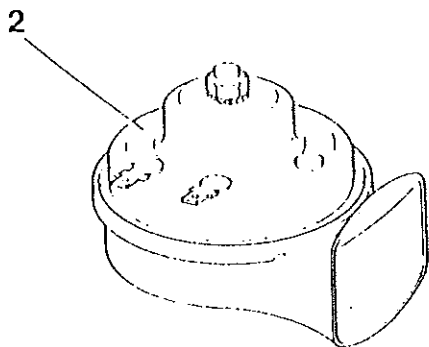
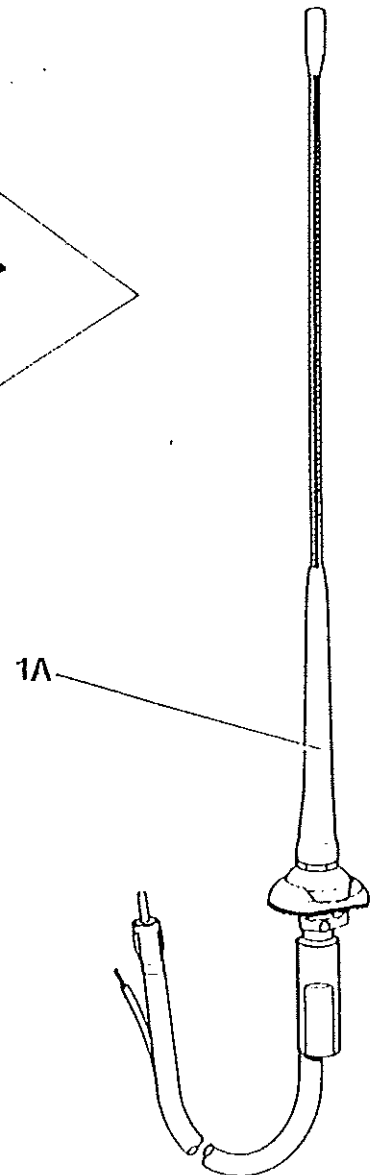
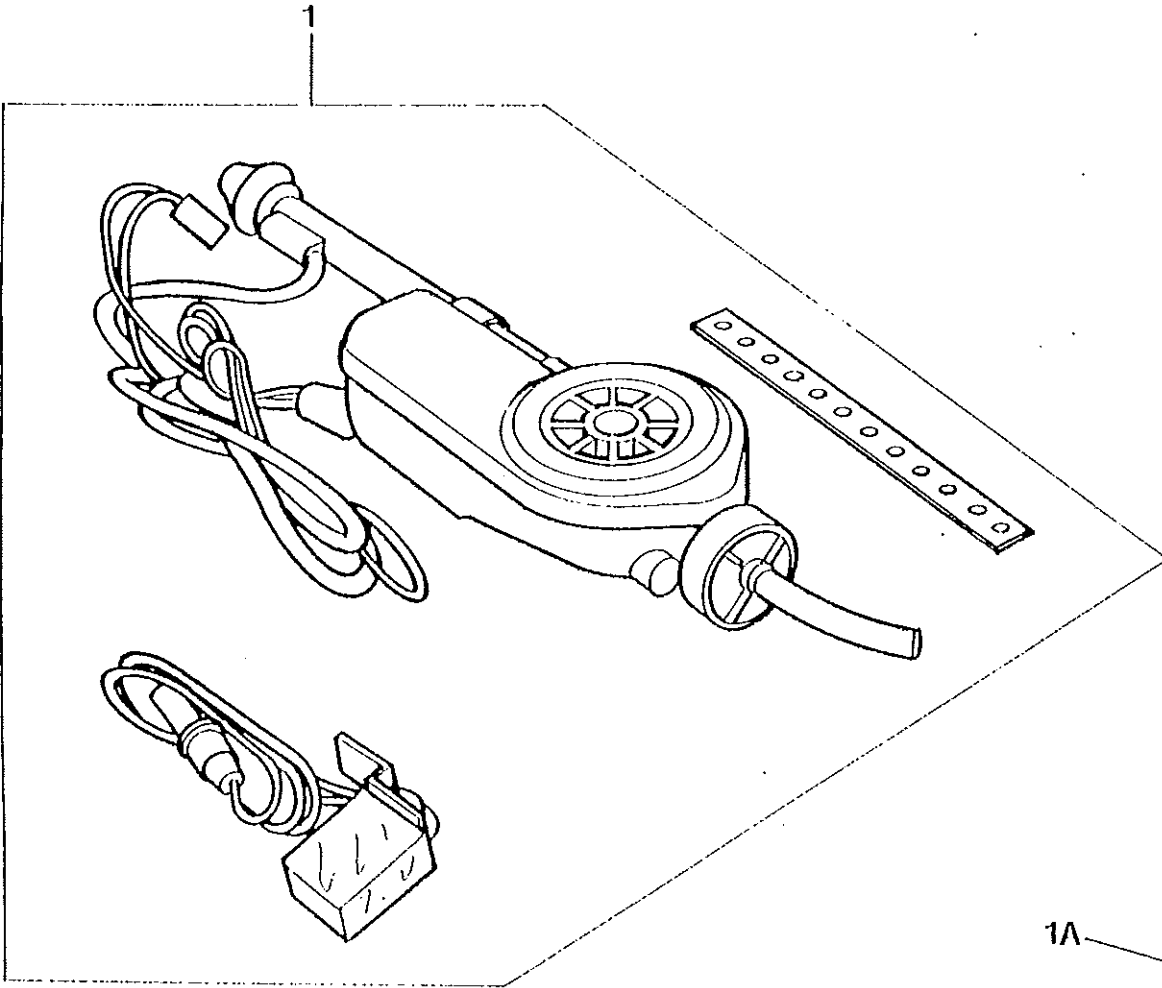
Section M3 Electrics - Rear Light Cluster

Comments :

Date of Issue : Date Revised : Drawing Ref :

Item	Part No.	Description	Qty
1	S28M 10001	RH Lens Cluster	1
	S28M 10002	LH Lens Cluster	1
2	S28M 10009	Bulb Holder	2
3	025M 176A	Stop Light Bulb	2
4	025M 144M	Reverse Light Bulb	2
5	025M 144A	Indicator Bulb	2
6	025M 144A	Fog Light Bulb	2

M4



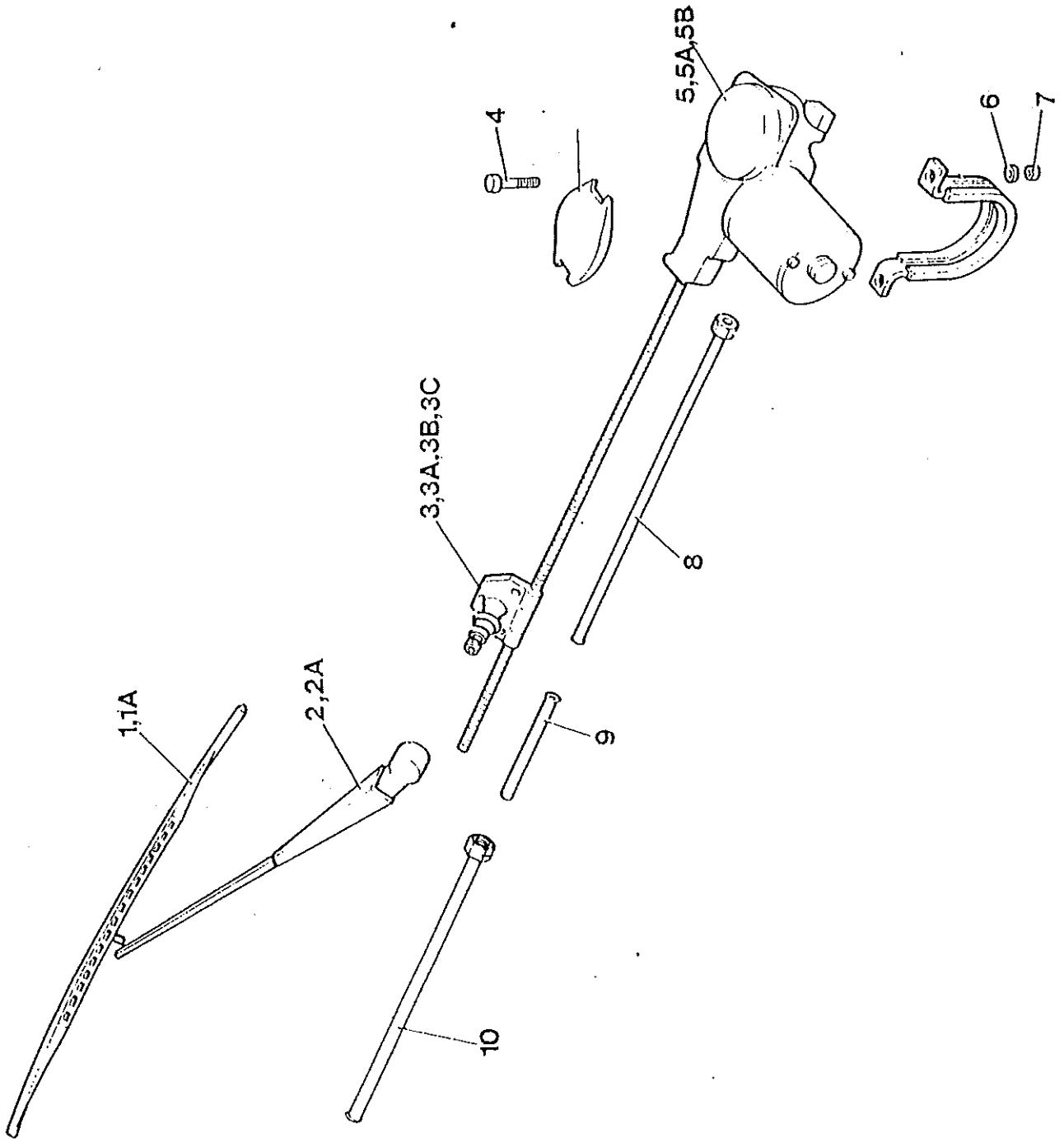
TVR Engineering Limited Parts Catalogue

Section M4 Electrics - Aerial & Horn

Comments :

Date of Issue : Date Revised : Drawing Ref :

Item	Part No.	Description	Qty
1	125M 036A	Radio Aerial - Electric (Optional)	1
1A	S28M 10028	Radio Aerial - Manual (Standard)	1
2	025M 057A	High Note Horn	1
	025M 058A	Low Note Horn	1



TVR Engineering Limited Parts Catalogue

Section M5 Wiper Systems, Linkage and Screen Wash Components

Comments :Note : M5 Illustration Depicts Wiper Systems After 4th June 1988

Date of Issue Jan 1990 Date Revised : Drawing Ref :38

Item	Part No.	Description	Qty
1	S28M 10026	Wiper Blade (First 20 Cars To April 1987)	2
1A	S28M 10034	Wiper Blade (From April 1987)	2
2	S28M 10025	Wiper Arm (First 20 Cars To April 1987)	2
2A	S28M 10032	Wiper Arm (From April 1987)	2
3	S28M 10014	Wiper Pivot And Linkage Kit (First 10 Cars Only April 1987)	1 Set
3A	S28M 10031	Wiper Pivot And Linkage Kit (April 1987 To 4th June 1988 DS363)	1 Set
3B	S28U 10161	LH Wheelbox (From 4th June 1988 DS364)	1
3C	S28U 10162	RH Wheelbox (From 4th June 1988 DS364)	1
4	NPN	M10 Set Screw (Used Only With 5B)	1
5	S28M 10024	Wiper Motor Assembly (DOGA) First 10 Cars Only April 1987	1
5A	S28M 10031	Wiper Motor Assembly (Dudley) April 1987 To 4th June 1988 DS363	1
5B	S28M 10061	Wiper Motor Assembly (With Strap, Sleeve and Pad) From 4th June 1988- DS364 On	1
6	NPN	Flat Washer (Use With 5B Only)	1
7	NPN	M10 Nyloc Nut (Use With 5B Only)	1
8	S28U 10164	Bundy Tube (LH To RH Wheelbox) From 4th June 1988 DS364	1
9	S28U 10165	Bundy Tube (RH Wheelbox) From 4th June 1988 DS364	1
10	S28U 10163	Bundy Tube (Motor To LH Wheelbox) From 4th June 1988 DS364	1

