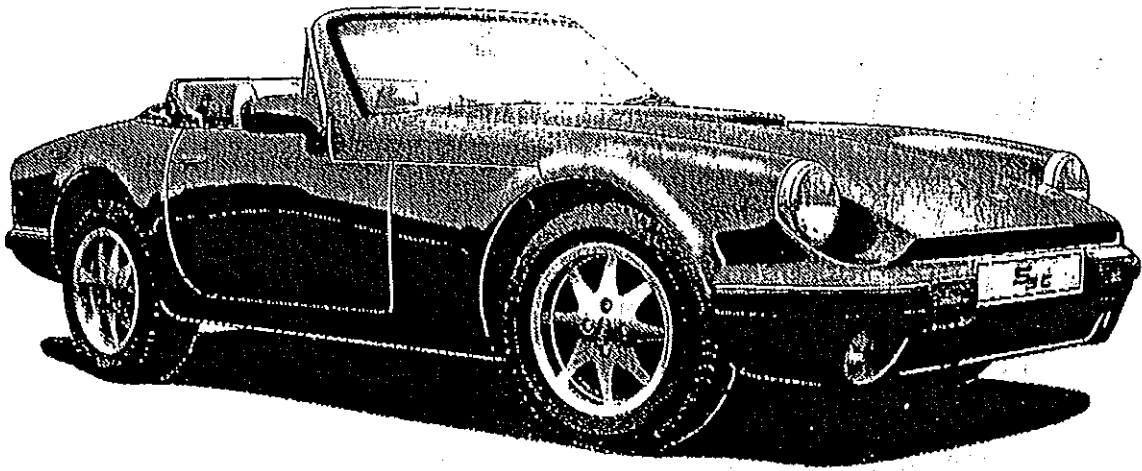


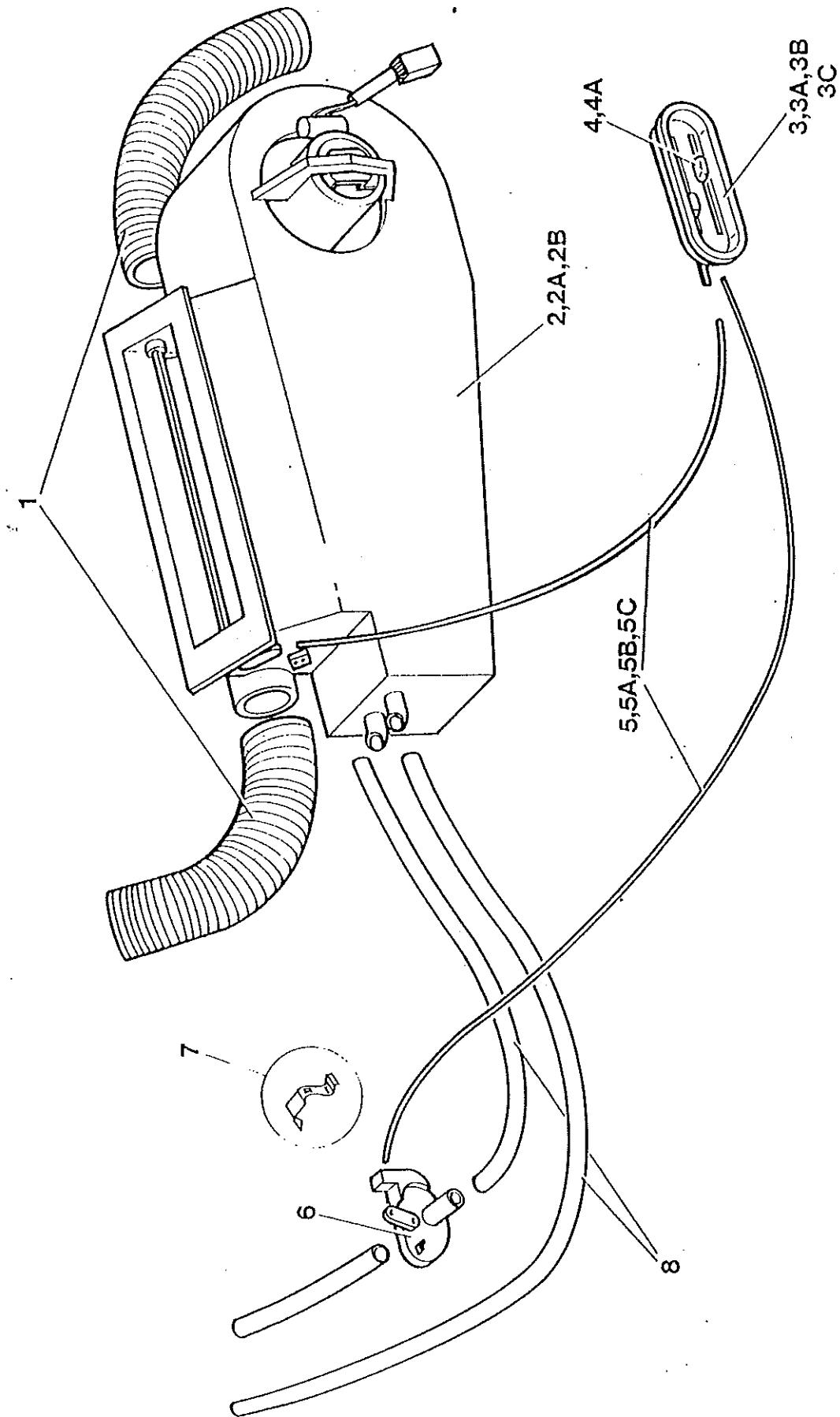
TR



Parts Catalogue

Section P Heating & Ventilation

S
SERIES



TVR Engineering Limited Parts Catalogue

Section P1 Heating And Ventilation

Comments :

Date of Issue Jan 1990 Date Revised : Drawing Ref :44

Item	Part No.	Description	Qty
1	S28P 10005	Demister Hose (As Required)	A/R
2	S28P 10001	Heater Unit Assembly (RHD Only To DS363- 4th June 1988)	1
2A	S28P 10009	Heater Unit Assembly (LHD Only To DS363- 4th June 1988)	1
2B	S28P 10013	Heater Unit Assembly (All Cars From DS364- 6th June 1988)	1
3	S28U 10061	Heater Control Panel (1987 Only)	1
3A	S28U 10092	Heater Control Panel (From 1987 To DS363- 4th June 1988)	1
3B	S28U 10187	Heater Control Panel (From DS364, 6th June 1988 To DS469 2nd May 1989)	1
3C	S28U 10217	Heater Control Panel (From DS470 2nd May 1989)	1
4	O25P 009A	Heater Control Knob (To DS 469, 2nd May 1989)	2
4A	S28P 10016	Heater Control Knob (From DS470- 2nd May 1989)	2
5	S28P 10007	Heater Cable (Outer) To DS 363 4th June 1988 *U.O.I. = 1 Metre	A/R
5	S28P 10008	Heater Cable (Outer) To DS 363 4th June 1988 *U.O.I. = 1 Metre	A/R
5A	S28P 10017	Heater Cable (Direction Control) From DS364, 6th June 1988	1
5B	S28P 10018	Heater Cable (Temperature Control *) From DS364 6th June 1988	1
5C	S28P 10018	Heater Cable (Temp And Direction) From DS455 14th May 1990	2
6	O25P 006A	Heater Valve	1
7	O25P 010A	Securing Clip	1
8	O25P 021A	Heater Hose	3
* At VIN DS458(14-5-90) S28P 10017 (Item 5A) Increased To Quantity Item 5B (S28P 10018) Phased Out Finishes At VIN DS457 (14/05/90)			2

