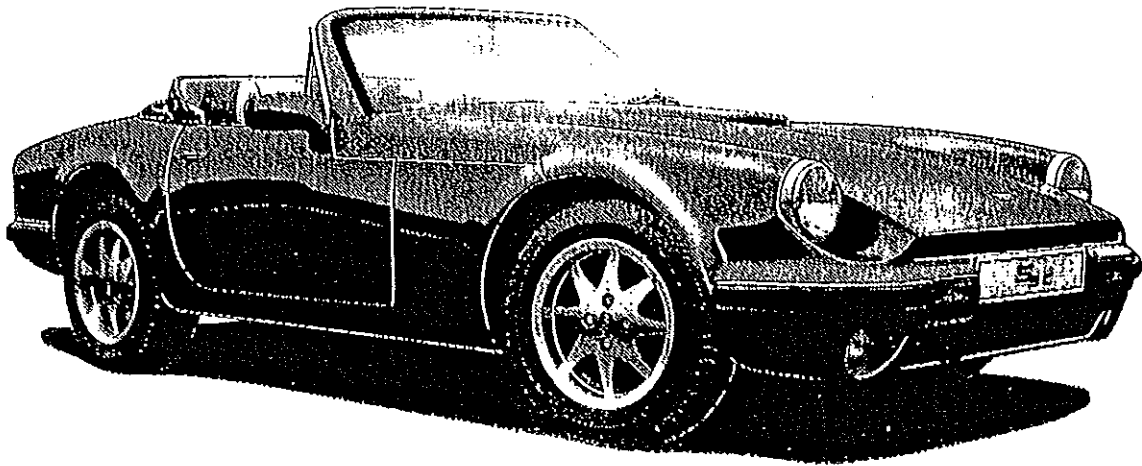
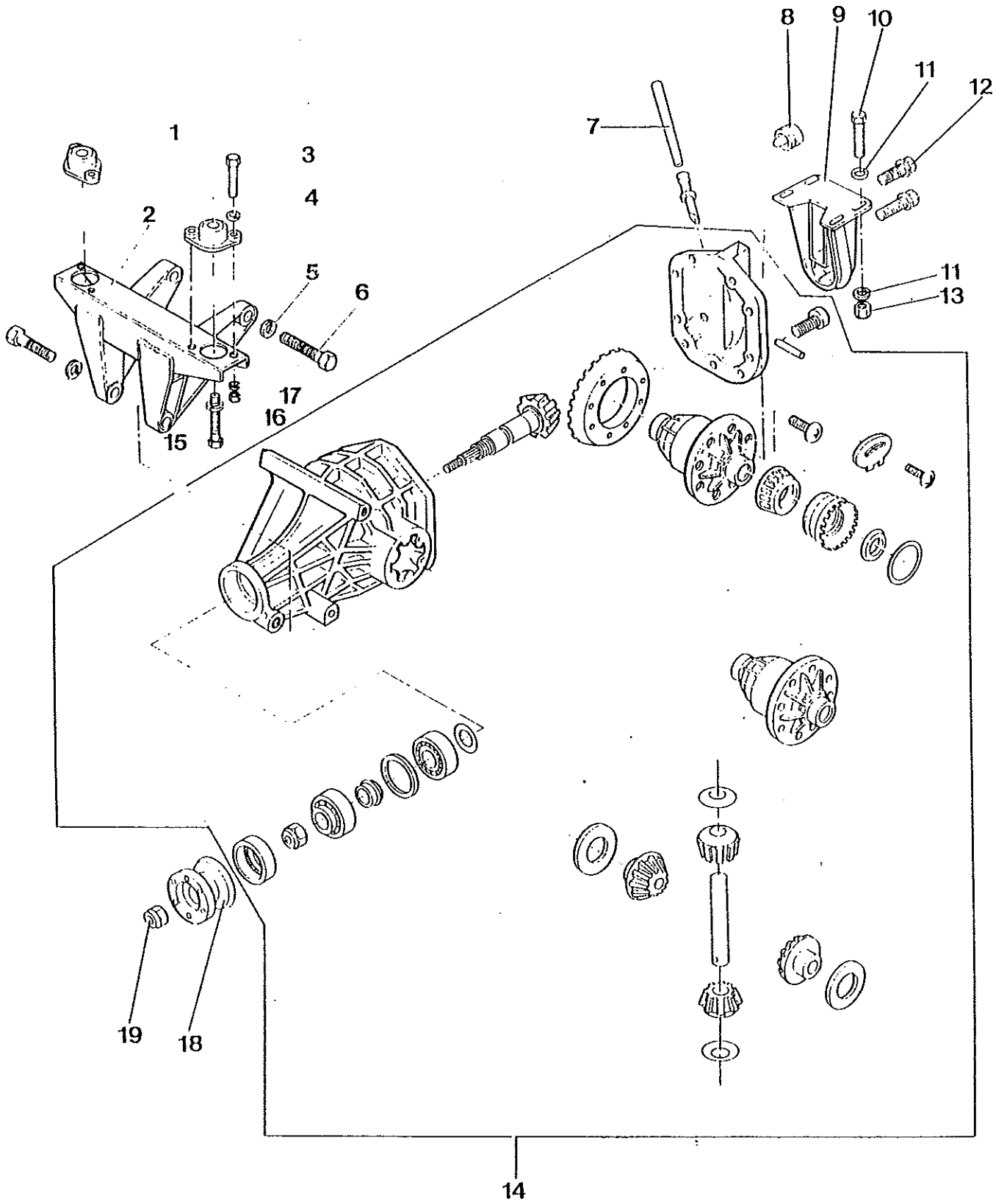


TR



Parts Catalogue
Section R Differential

S
SERIES



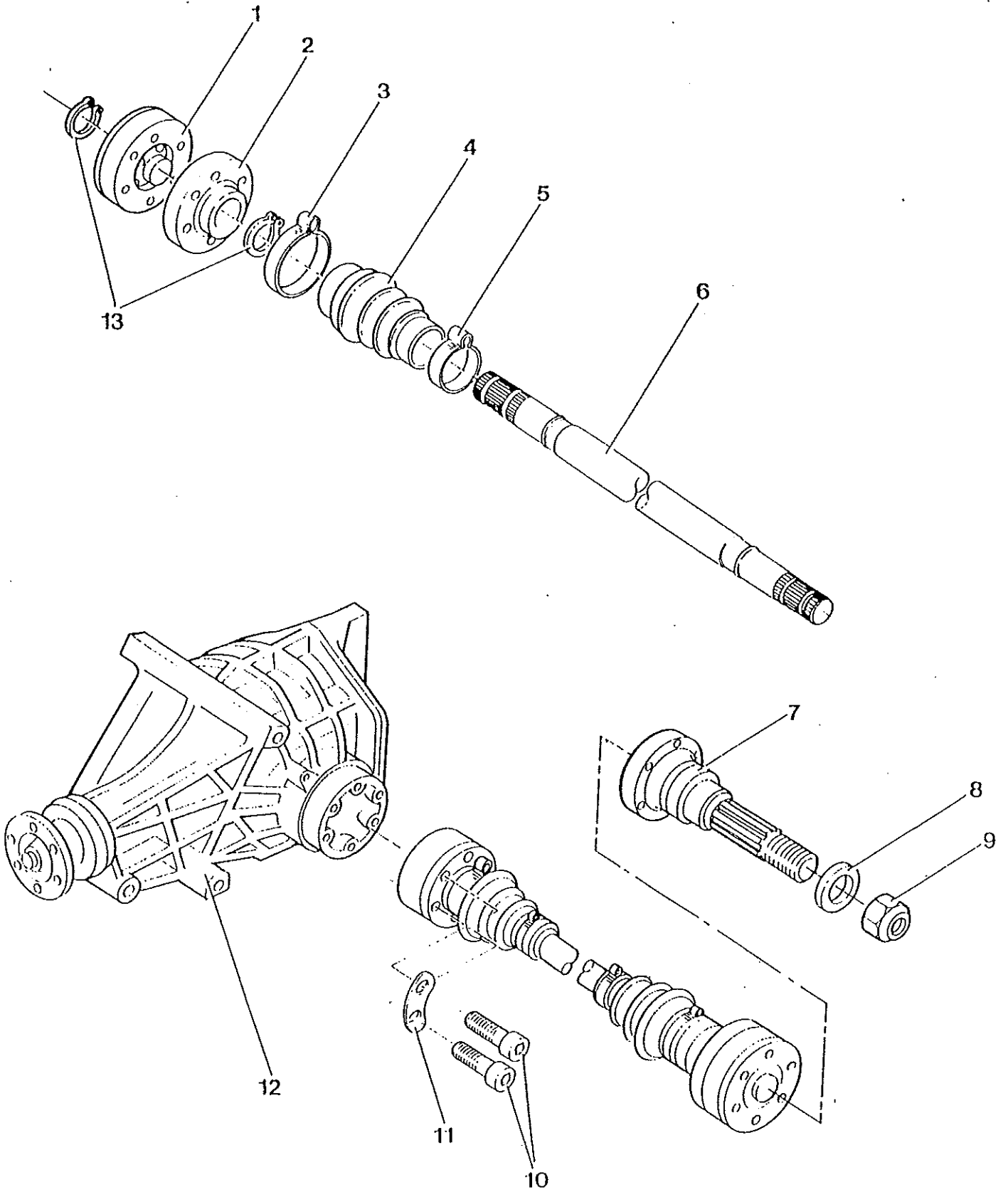
TVR Engineering Limited Parts Catalogue

Section R1 Differential Assy

Comments :

Date of Issue :Feb.1991 Date Revised : Drawing Ref :45

Item	Part No.	Description	Qty
1	O25D 007A	Diff. Mounting Rubber	2
2	S28R 10030	Diff. Cradle Assy	1
3	O25W 115A	Set Screw	4
4	O25W 006A	Washer	8
5	O25W 053A	Spring Washer	4
6	O25W 150A	Set Screw	4
7	S28R 10028	Vent	1
8	S28R 10029	Plug (Drain)	1
9	S28R 10007	Diff. Support	1
10	O25W 152A	Bolt	4
11	O25W 013A	Washer	8
12	O25W 153A	Setscrew	2
13	O25W 011A	Nut	4
14	S28R 10001	Diff. Assy (Standard)	1
15	O25W 151A	Setscrew	2
16	O25W 131A	Spring Washer	2
17	O25W 005A	Nut	4
18		Seal	1
19		Nut	1



TVR Engineering Limited Parts Catalogue

Section R2 Differential - Driveshaft Assy

Comments :

Date of Issue :Feb.1991 Date Revised : Drawing Ref :46

Item	Part No.	Description	Qty
1	S28R 10008	CV Joint	4
2	S28R 10012	Mounting Shroud	4
3	S28R 10011	Clip - Large	4
4	S28R 10009	Gaitor	4
5	S28R 10010	Clip - Small	4
6	S28R 10017	Drive Shaft	2
7	S28D 10001	RH Output Shaft	1
	S28D 10002	LH Output Shaft	1
8	S28D 10007	Washer	2
9	S28D 10008	Nut RH Thread	1
	S28D 10009	Nut LH Thread	1
10	S28R 10005	Cap Screws	24
11	S28R 10004	Locking Plate	12
12	S28R 10001	Differential (3.64 : 1)	1
12A	S29R 10031	"Limited Slip" Diff (3.64 : 1) (Optional Only)	1
13	S28R 10013	Circlip	8

